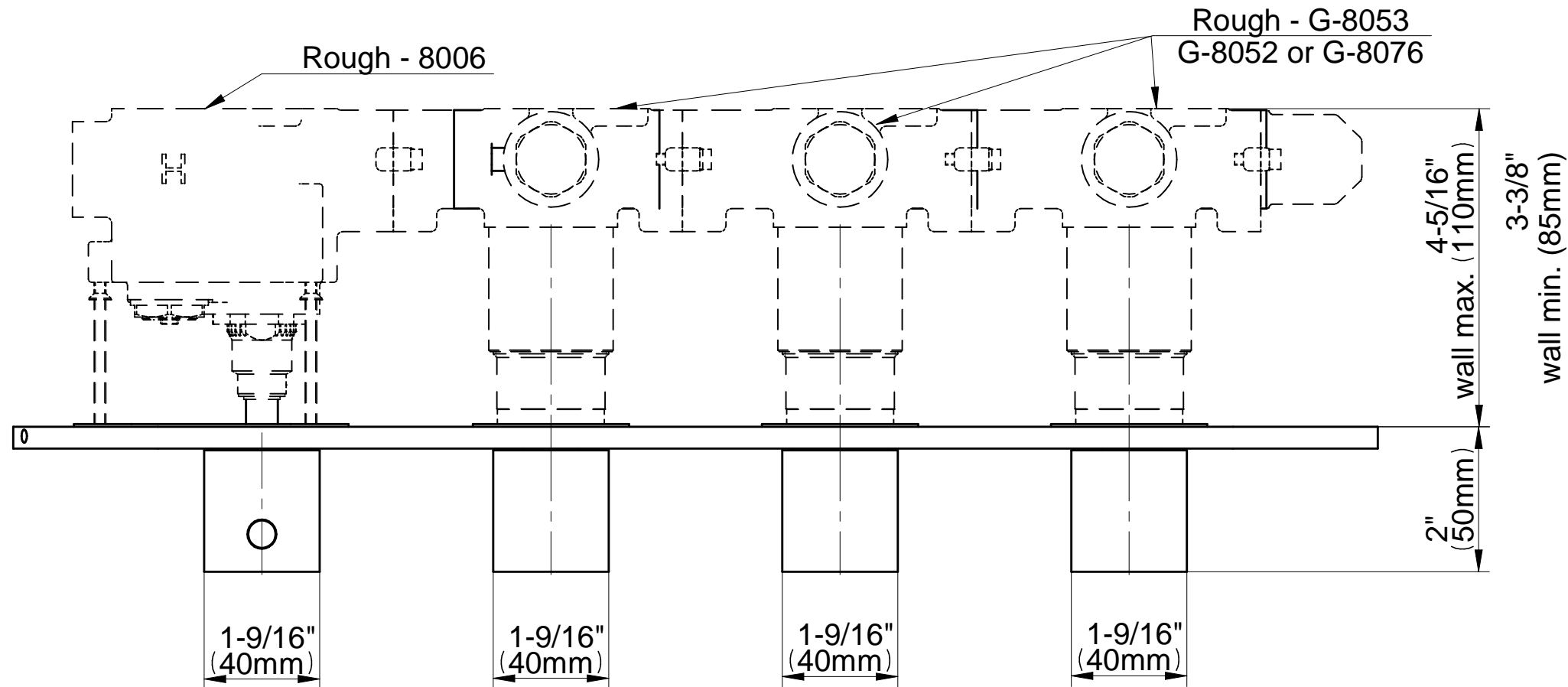
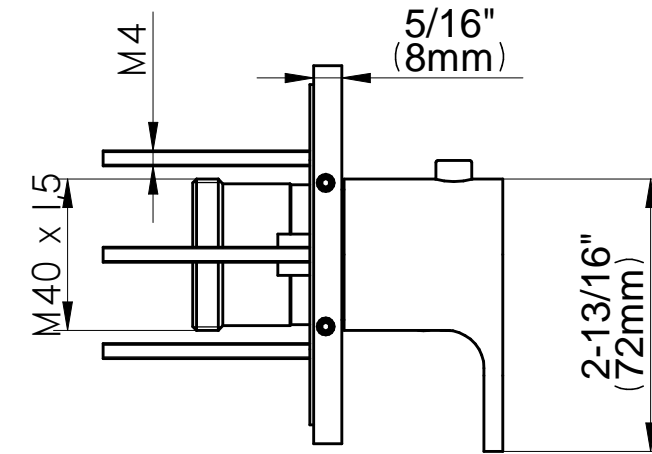
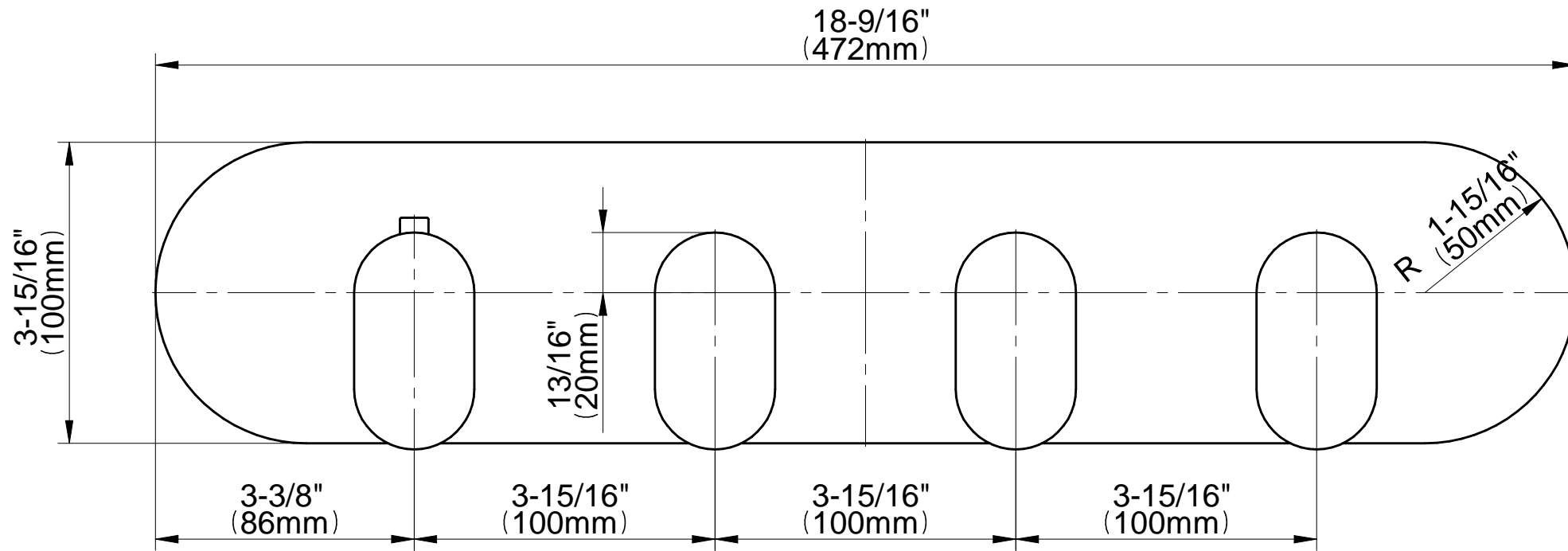


G-8058H-LM44E0 Series



GRAFF[®]
CUTTING EDGE DESIGN